



## Bathtub - IMO

Tub spout for wall-mounted installation - polished chrome

Article number: 13 801 670-00

- 7-7/8" Projection
- Rectangular aerator
- 1-1/2" hole diameter
- 1/2" connection
- Water flow rate limited to max. 6.6 gpm

### Codes & Standards

- ASME A112.18.1/CSA B125.1



polished chrome

Accessory is required for this item.

Discontinued items available to order until 31.12.9999

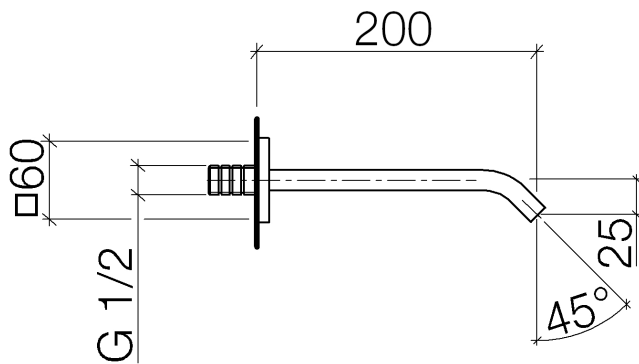


## Bathtub - IMO

Tube spout for wall-mounted installation - polished chrome

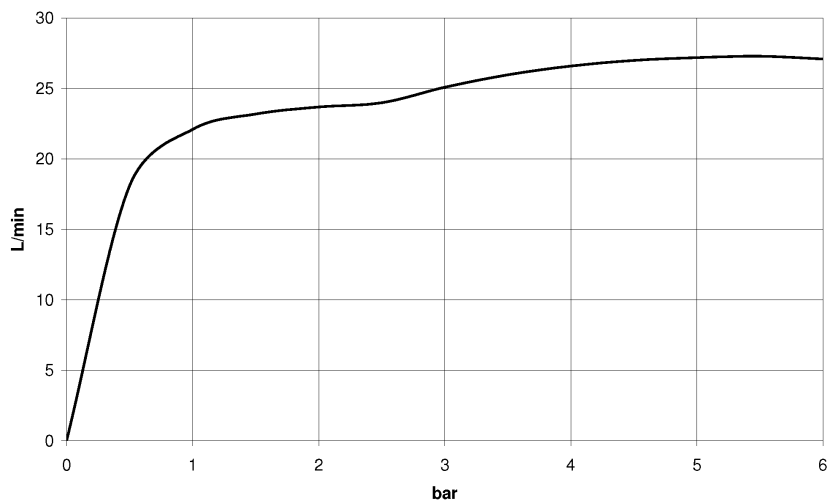
Article number: 13 801 670-00

### Dimensional drawing



All dimensions in mm / inch = mm x 0,0394

### Flow rate chart





## Bathtub - IMO

Tub spout for wall-mounted installation - polished chrome

Article number: 13 801 670-00

### Other surface finishes



platinum matte  
13 801 670-06



chrome matte  
13 801 670-93

More custom finish options are available via special production (xTra Service). Please see our finish matrix for availability and pricing or contact a Dornbracht representative.



35 080 970-90 0010  
Rough-in adapter -

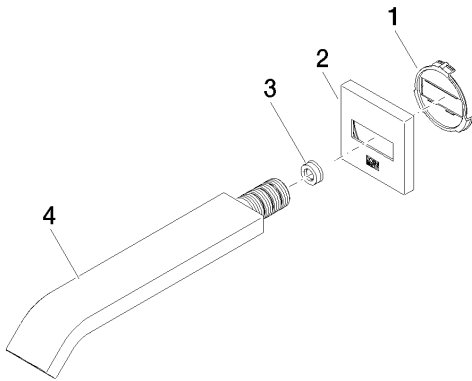


Bathtub - IMO

Tube spout for wall-mounted installation - polished chrome

Article number: 13 801 670-00

### Spare parts list



Number	Item Number	Designation	Number of units
1	09 18 40 139 90	base	1
2	09 27 67 008-00	rosette	1
3	09 23 01 057 90	flow reducer	1
4	04 28 22 241 00-00	spout	1